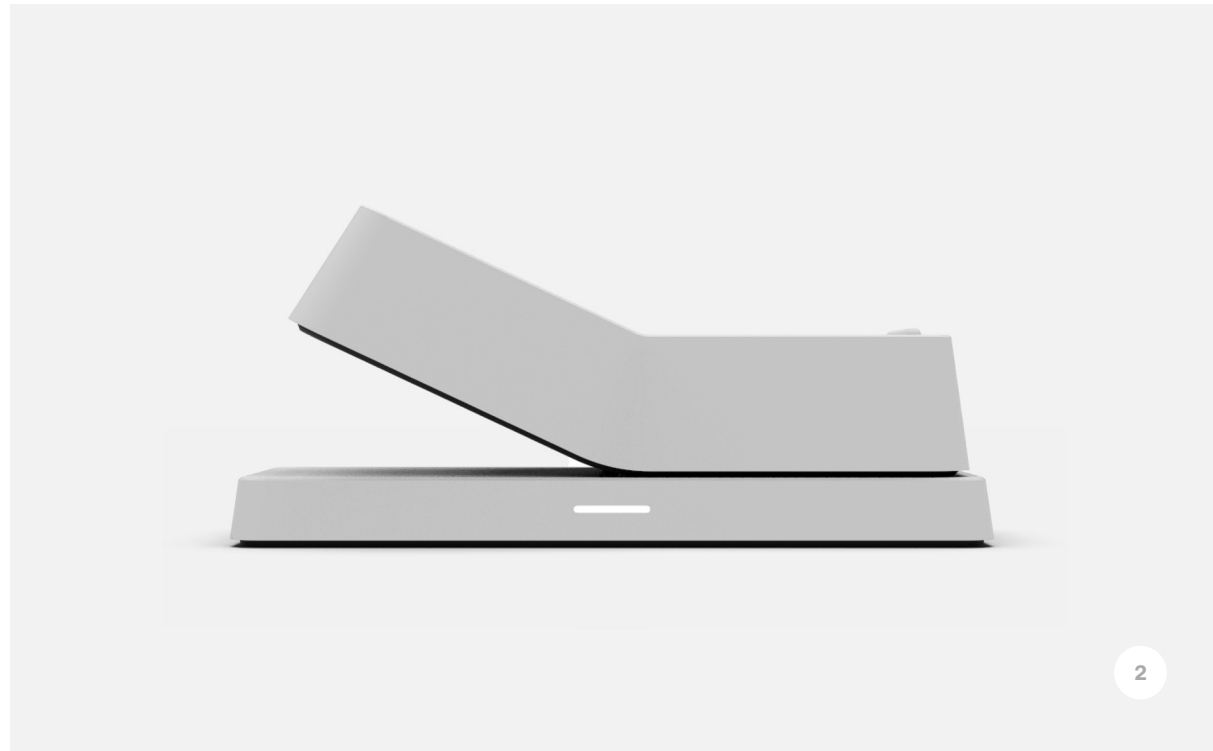
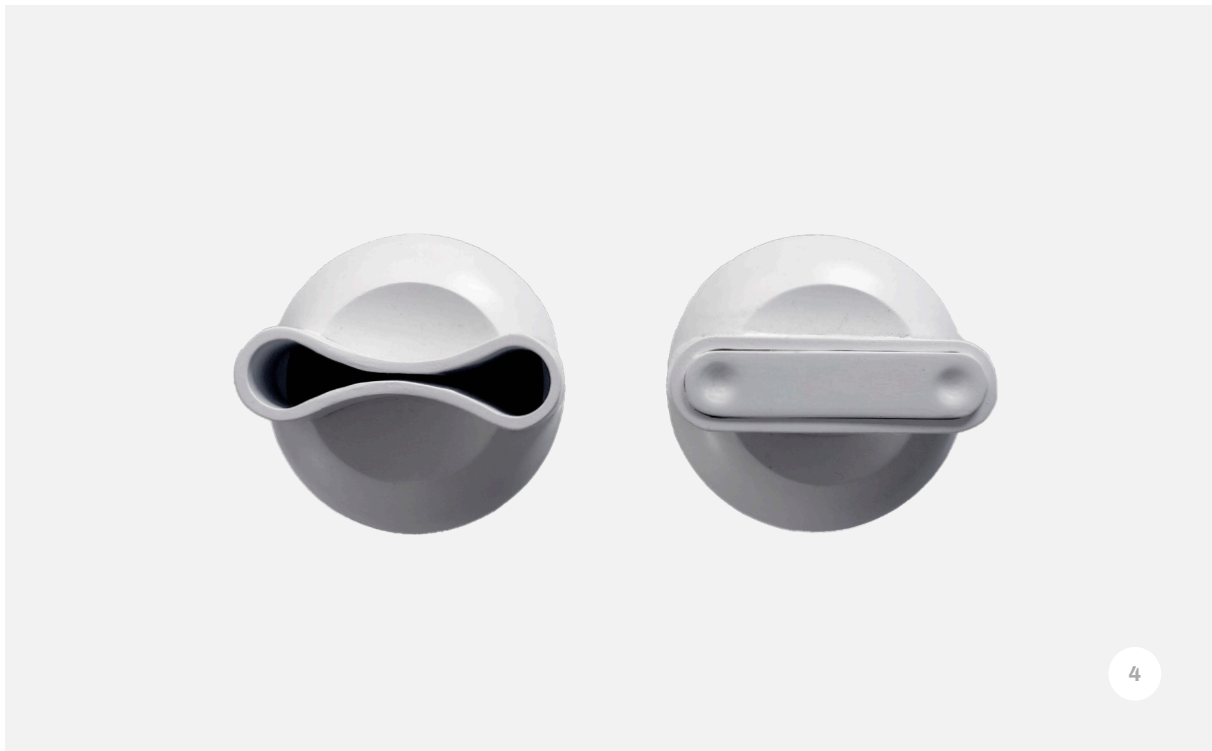




1



2



4



3

THIPOK CHOLSAIPANT
ธิปก ขลสาปนันท์

- 1 AeroLyze**
GLUCOSE BREATH ANALYZER
- 2 Teeter**
WORK HOUR TRACKER
- 3 InvisiReality**
AUGMENTED REALITY HEADSET
- 4 Affordances**
HOW FORM SUGGESTS ACTIONS

www.thipok.ch ↗
THIPOK.CH @ ICLLOUD.COM
510 599 9447

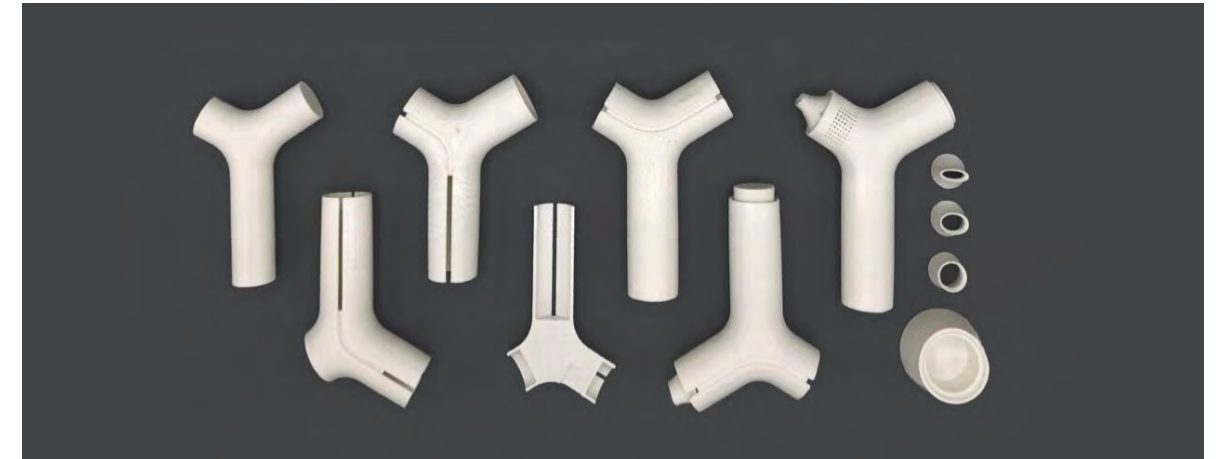
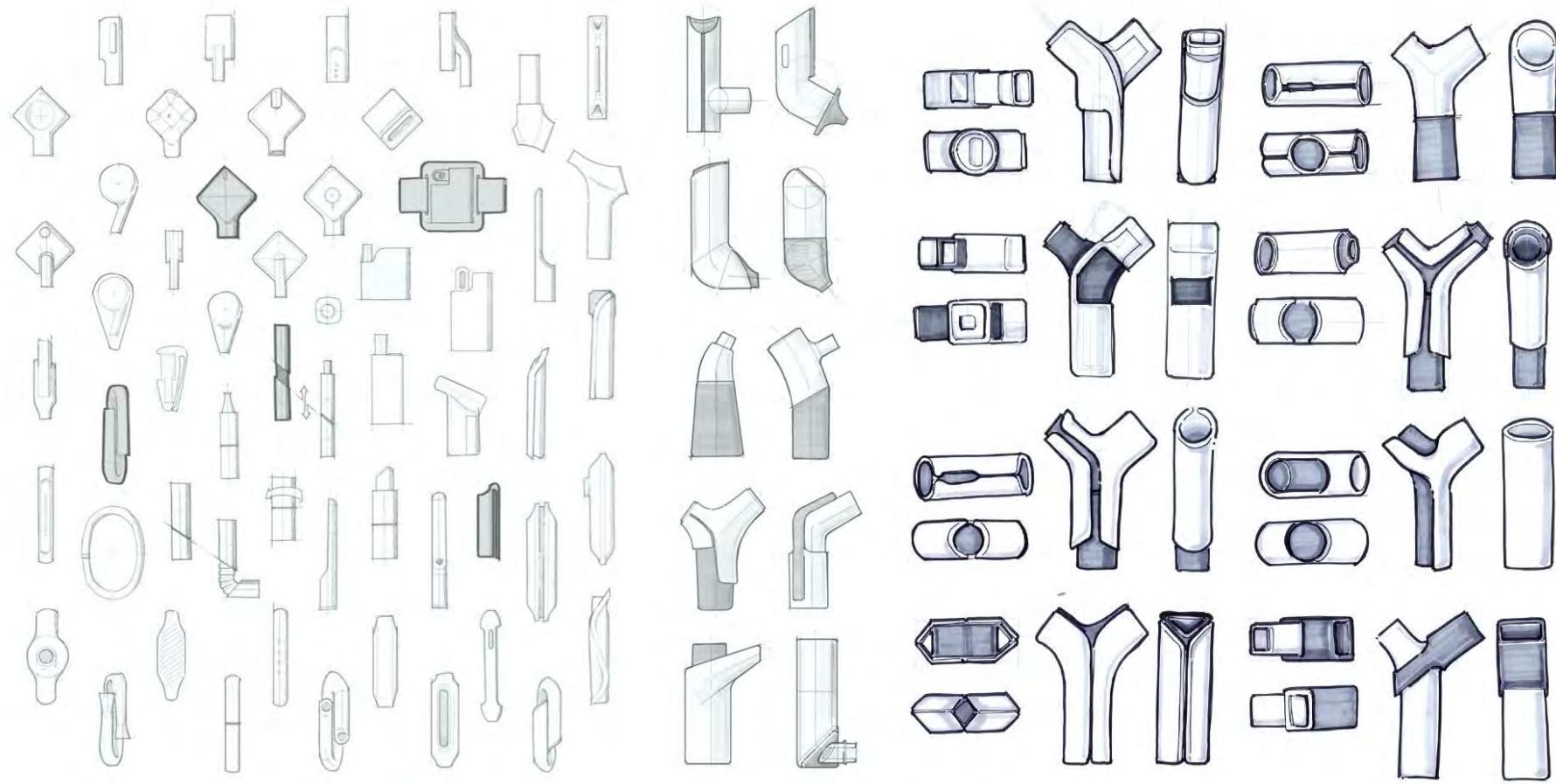


1 AeroLyze
GLUCOSE BREATH ANALYZER

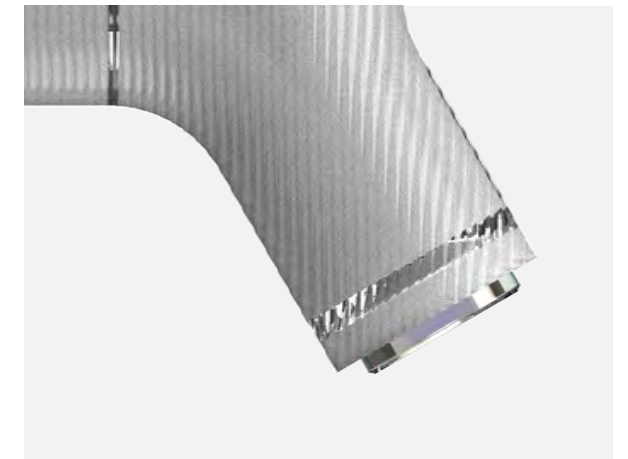
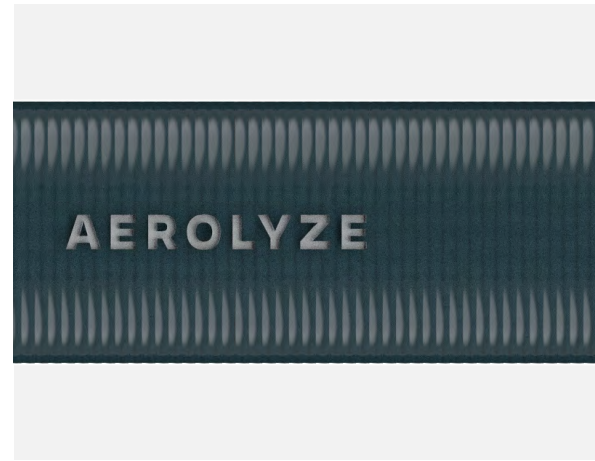
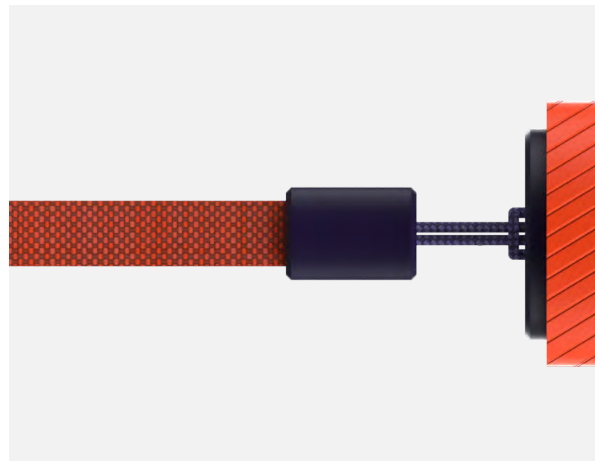
TACTILE



NON-INVASIVE. MOBILE. LOW MAINTENANCE.



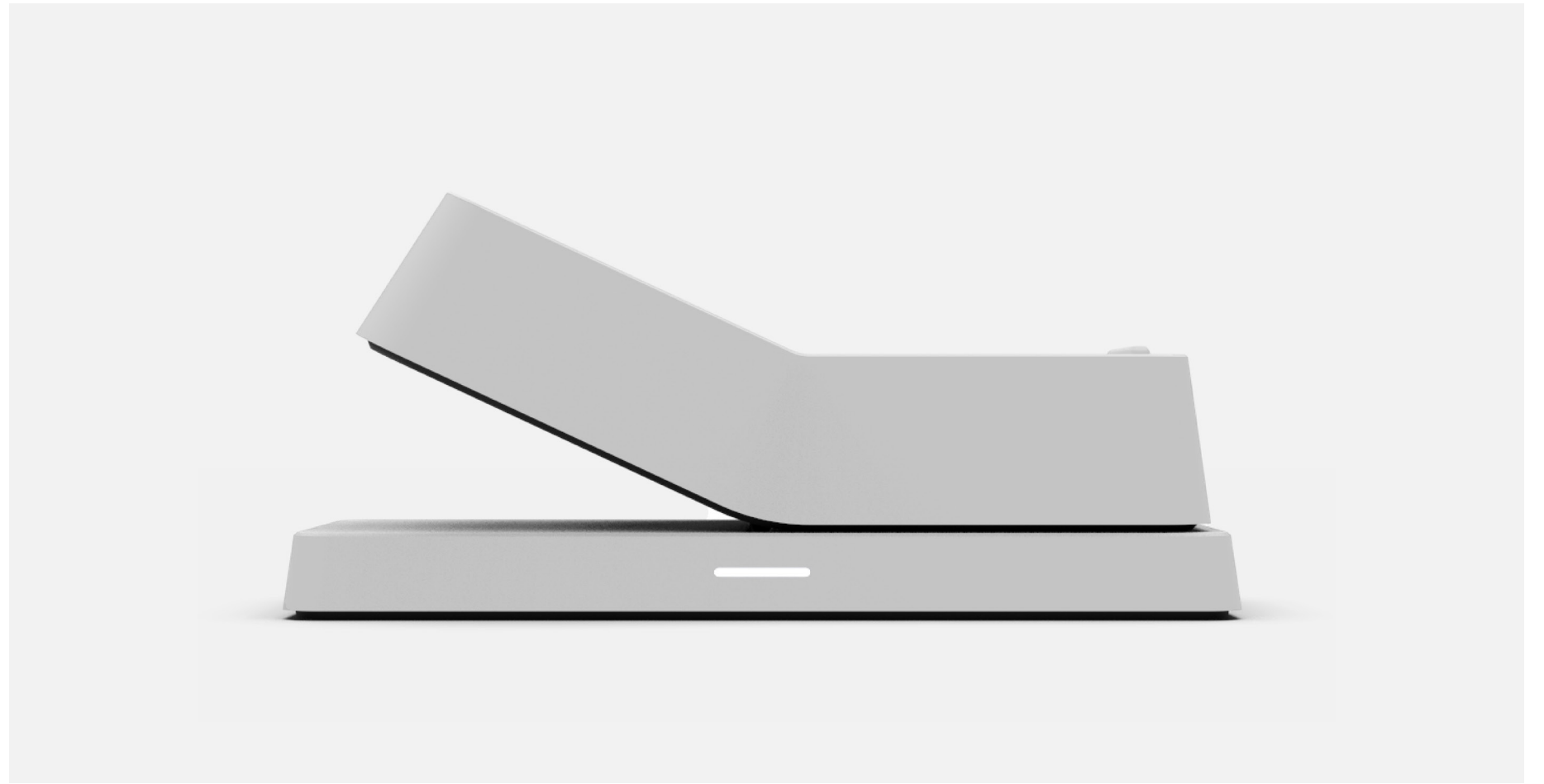
A FORM THAT IS NEITHER A VAPE OR A NEBULIZER.



BALANCING LIFESTYLE AND MEDICAL AESTHETICS.

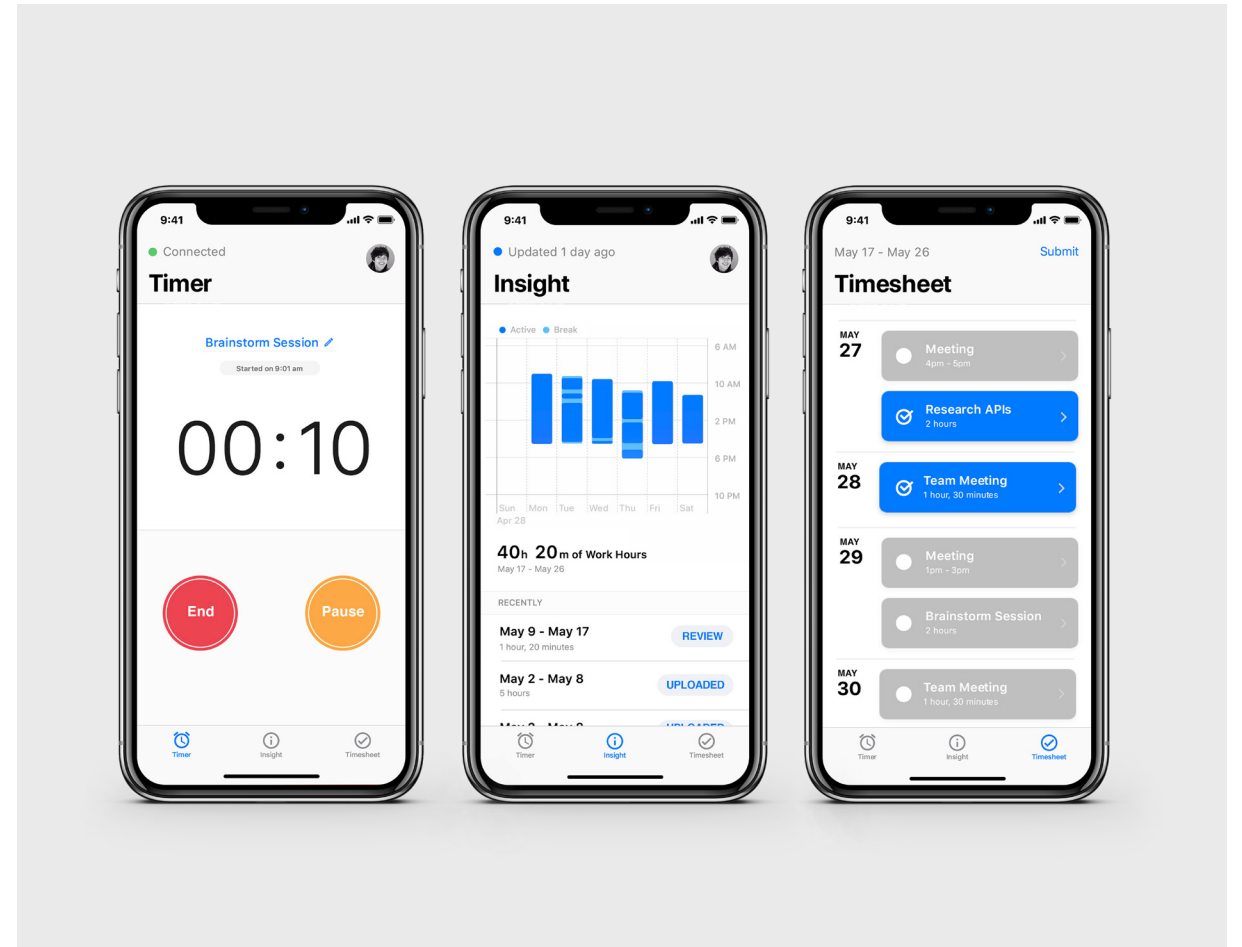
[ABOUT](#) ↗

[PROCESS](#) ↗





2 Teeter

WORK HOUR TRACKER



STREAMLINED. ACCURATE. SIMPLE GESTURE.

[ABOUT](#) 
[PROCESS](#) 



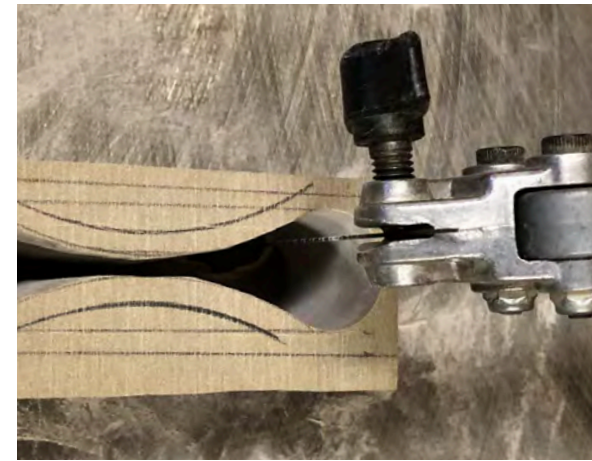
3 InvisiReality

AUGMENTED REALITY HEADSET



4 Affordances

HOW FORM SUGGESTS ACTIONS



Thank You

1 AeroLyze

JASON GERMANY
ERIC NAKASSA
BRYN FLEMMING-HENNING

3 InvisiReality

SANG GYEUN AHN

2 Teeter

YUANSI LI
MICHAEL KRITZER

4 Affordances

FLYN O'BRIEN
JOHN MARTIN

[MORE WORK ↗](#)

[RESUME ↗](#)

Let's chat!

THIPOK.CH @ ICLOUD.COM
510 599 9447